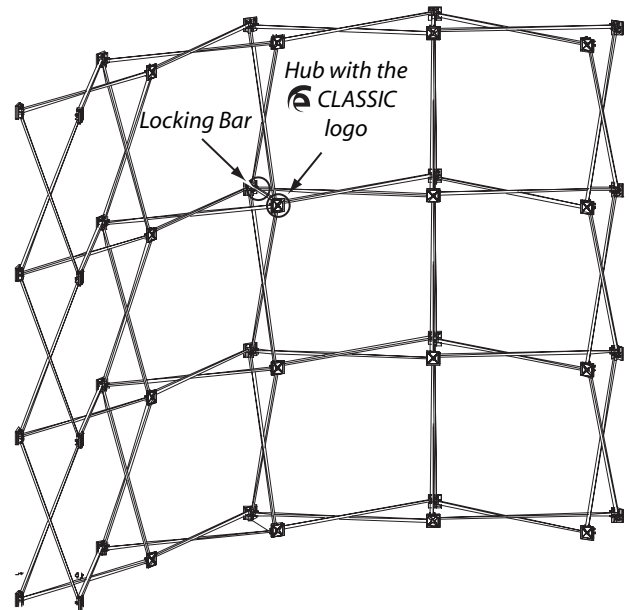




### 1. FRAME - Expanding the Frame

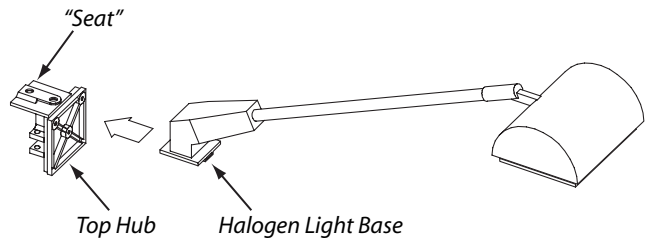
- A. Remove the panels from the case and unroll them, laying them flat on the floor. Laying them flat relaxes the "roll memory" and makes the panels easier to install.
- B. Expand the frame ensuring that the Classic logo hub, located in the center of the frame, is right side up and facing forward.
- C. If you ordered lights with your pop up, install them now by sliding the lights onto the brackets on the top of the frame
- D. Pull the frame upward until the locking bar extends past the frame, then relax the frame slightly and attach the locking bar.



**IMPORTANT NOTICE:** The locking bar is for set-up only. It MUST be RELEASED before hanging the panels. If the panels do not fit, then the locking bar has not been RELEASED.

### 2. HALOGEN LIGHT ASSEMBLY

- A. The halogen light is easy to attach. You'll find a special "seat" on the frame's top hubs. The "seat" provides the anchor for the base of the halogen light.
- B. Simply align the base of the halogen light as shown, and slide it onto the "seat" atop the frame hub.



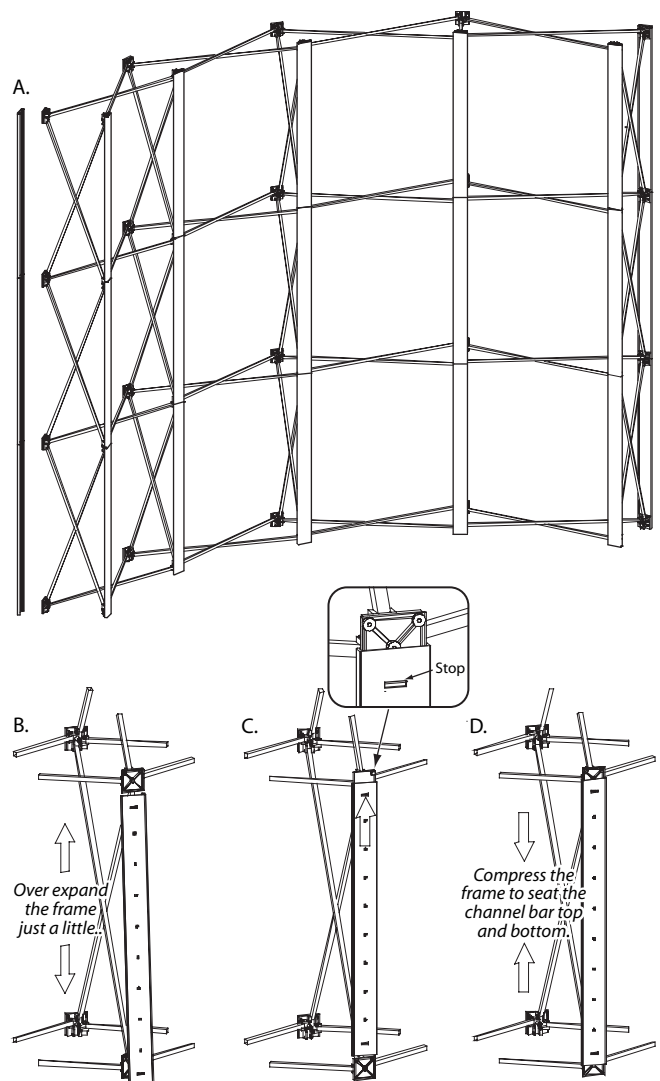
### 3. FRAME - Installing the Channel Bars

- A. The frame is now fully expanded with the "temporary" locking bar locked.
- B. There are 21 channel and slide bars to install on the 10 ft. frame. Place channel bars on frame with "top" stamp up and slide the top of the channel bar onto the bottom of the top hub until it hits the stop.

*IMPORTANT: There are two types of Channel Bars. Note the Stamped "TOP."*

**Standard**                      **Slotted for shelf attachment**

- C. Align the bottom edge of the channel bar over the top of the bottom hub. . .then slide down. Repeat until all channel bars are installed.
- D. Once all channel bars are installed, **lift up the locking bar and press down on back side of frame until all channel bars touch each other.** Due to the thickness of some carpets, you may have to rock the frame into place.



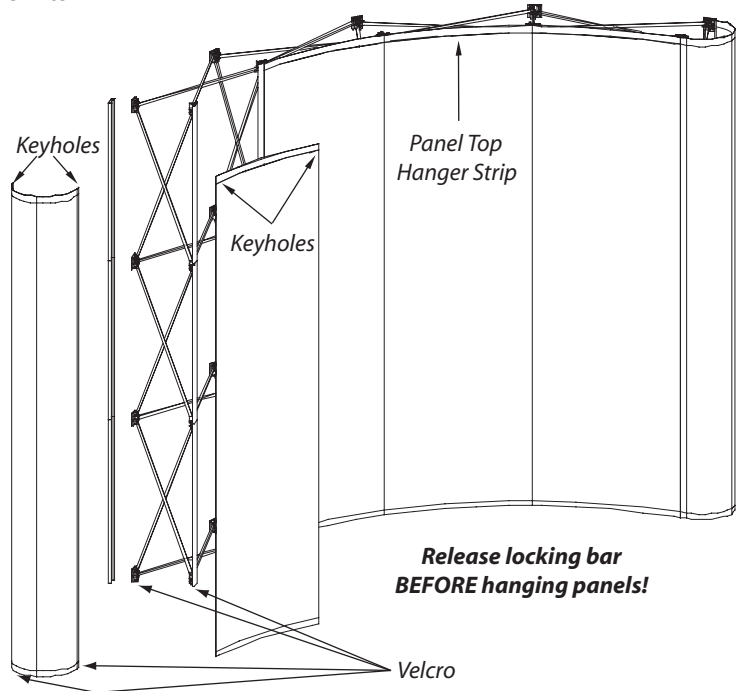


### 4. Attaching Panels - Curved & Straight Frame Units

- A. When placing panels on the frame, it is important to start at the center and work your way outward.
- B. Place panel on the frame by placing the hanger pin through the keyhole. Then release the bottom of the panel, allowing the panel magnets to adhere to channel bars.
- C. Then align the panel to the center dots on the channel bars.
- D. Repeat steps 1-3 until all panels are installed.

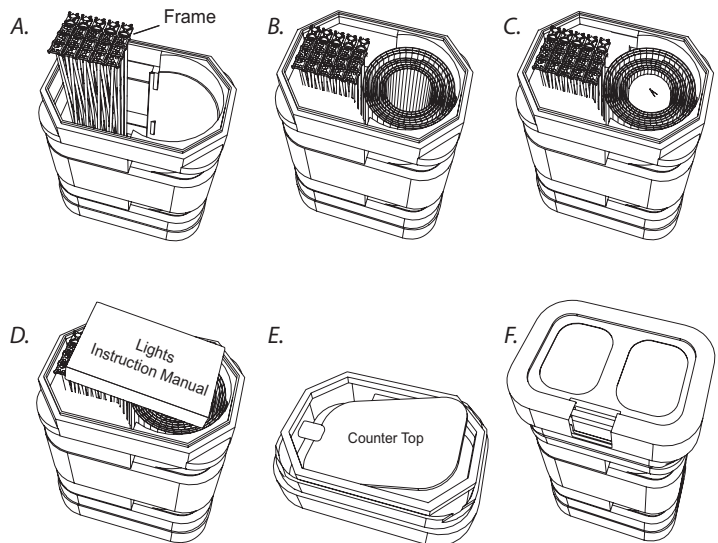
**TIP:** Attach halogen lights prior to hanging your panels. Much easier!

**IMPORTANT NOTICE:** When attaching the end panels, simultaneously join both front and back magnetic strips to the channel bars by using both hands. Curved frame end panels have Velcro dots on the bottom corners of each panel which match Velcro dots on the bottom corner hubs.



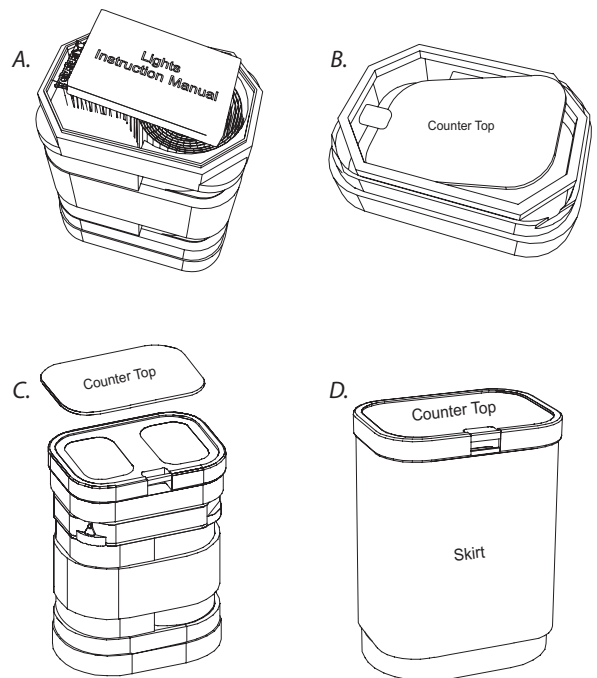
### 5. QUADRO OVAL CASE PACKING

- A. Place folded frame in case as shown.
- B. Roll panels, fabric to fabric when possible, and insert in case in this sequence: case skirt, front panels, end panels.
- C. Place channel bar bag inside rolled panels.
- D. Place lights and instructions on top of frame and panels.
- E. Turn lid over & slide counter top under lip.
- F. Place lid on top of case & secure latches.



### 6. OVAL CASE-TO-COUNTER KIT

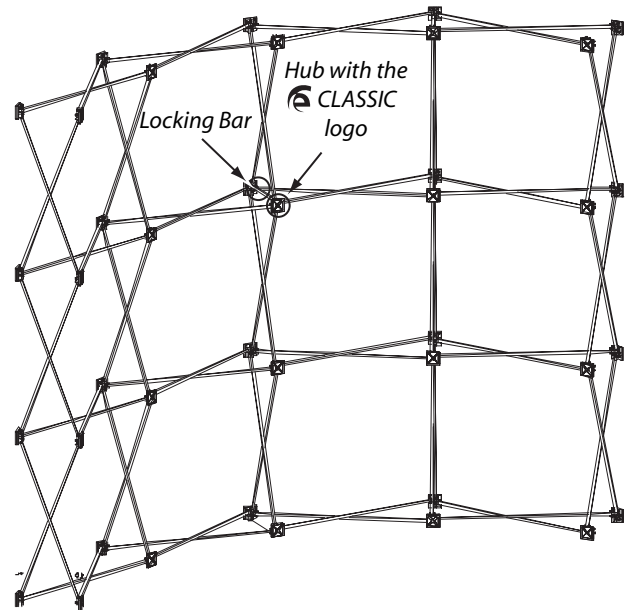
- A. After all Quadro parts are removed -- set aside counter skirt.
- B. Turn lid over and remove counter top.
- C. Place lid on top of case, secure it, and place counter top on top of lid.
- D. Wrap skirt around outside of case using attached Velcro.





### 1. FRAME - Expanding the Frame

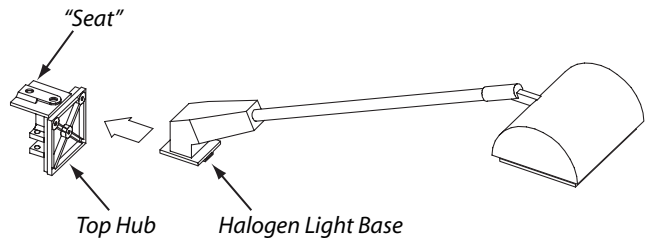
- A. Remove the panels from the case and unroll them, laying them flat on the floor. Laying them flat relaxes the "roll memory" and makes the panels easier to install.
- B. Expand the frame ensuring that the Classic logo hub, located in the center of the frame, is right side up and facing forward.
- C. If you ordered lights with your pop up, install them now by sliding the lights onto the brackets on the top of the frame
- D. Pull the frame upward until the locking bar extends past the frame, then relax the frame slightly and attach the locking bar.



**IMPORTANT NOTICE:** The locking bar is for set-up only. It MUST be RELEASED before hanging the panels. If the panels do not fit, then the locking bar has not been RELEASED.

### 2. HALOGEN LIGHT ASSEMBLY

- A. The halogen light is easy to attach. You'll find a special "seat" on the frame's top hubs. The "seat" provides the anchor for the base of the halogen light.
- B. Simply align the base of the halogen light as shown, and slide it onto the "seat" atop the frame hub.



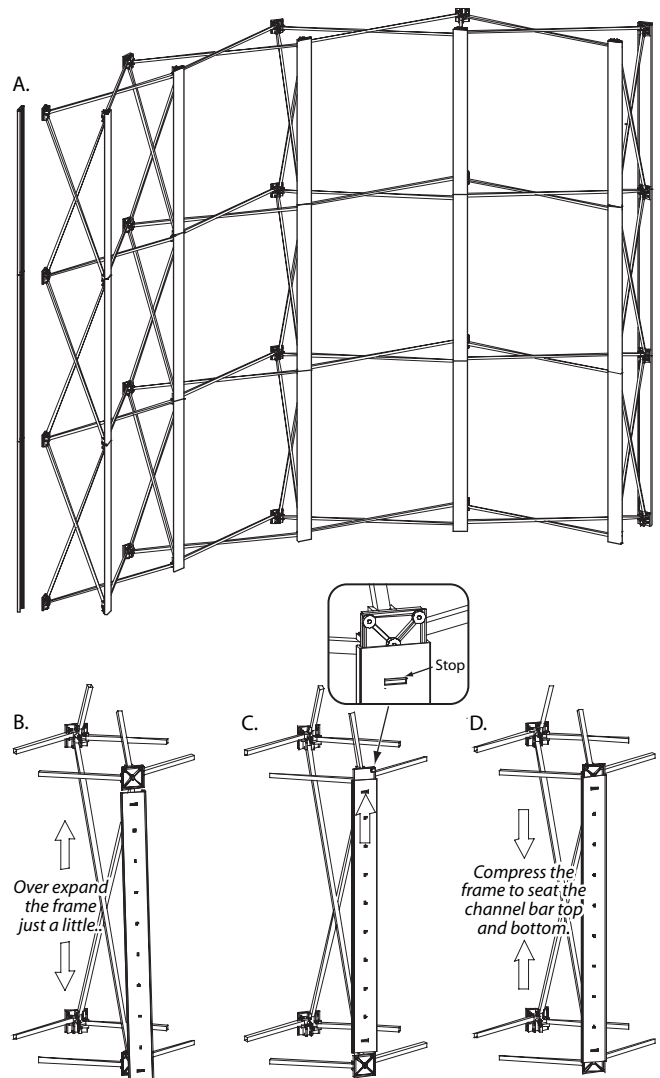
### 3. FRAME - Installing the Channel Bars

- A. The frame is now fully expanded with the "temporary" locking bar locked.
- B. There are 21 channel and slide bars to install on the 10 ft. frame. Place channel bars on frame with "top" stamp up and slide the top of the channel bar onto the bottom of the top hub until it hits the stop.

*IMPORTANT: There are two types of Channel Bars. Note the Stamped "TOP."*

**Standard**                      **Slotted**  
for shelf attachment

- C. Align the bottom edge of the channel bar over the top of the bottom hub. . .then slide down. Repeat until all channel bars are installed.
- D. Once all channel bars are installed, **lift up the locking bar and press down on back side of frame until all channel bars touch each other.** Due to the thickness of some carpets, you may have to rock the frame into place.



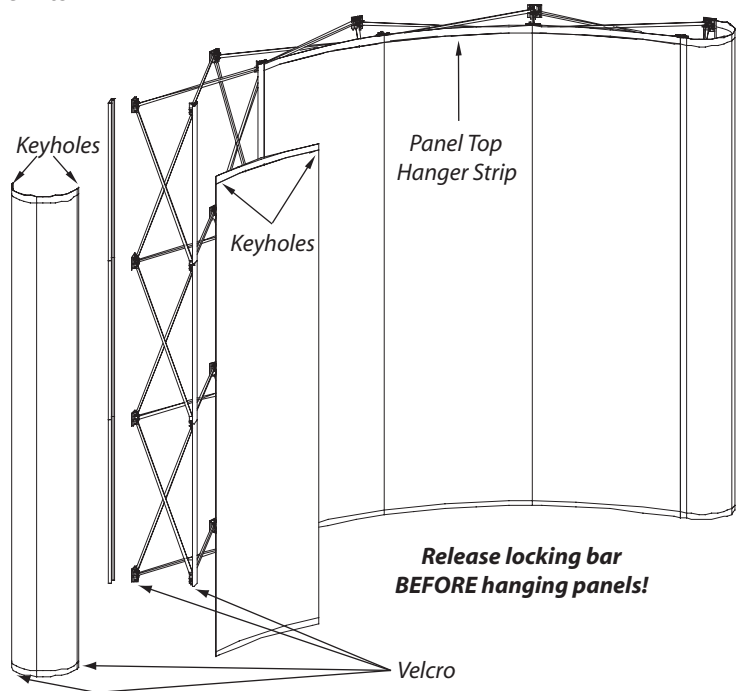


### 4. Attaching Panels - Curved & Straight Frame Units

- A. When placing panels on the frame, it is important to start at the center and work your way outward.
- B. Place panel on the frame by placing the hanger pin through the keyhole. Then release the bottom of the panel, allowing the panel magnets to adhere to channel bars.
- C. Then align the panel to the center dots on the channel bars.
- D. Repeat steps 1-3 until all panels are installed.

**TIP:** Attach halogen lights prior to hanging your panels. Much easier!

**IMPORTANT NOTICE:** When attaching the end panels, simultaneously join both front and back magnetic strips to the channel bars by using both hands. Curved frame end panels have Velcro dots on the bottom corners of each panel which match Velcro dots on the bottom corner hubs.

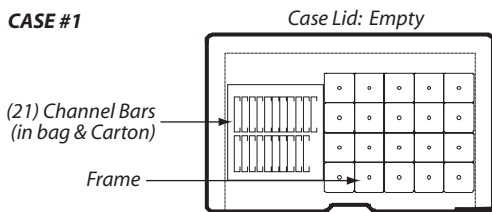


### 5. PACKING DIAGRAMS

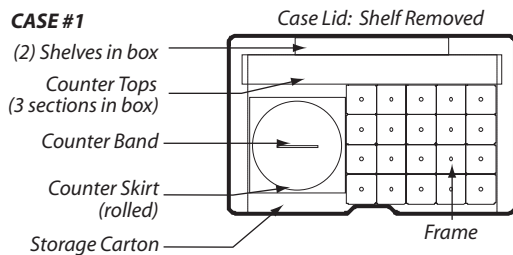
**10' CURVED DISPLAY...** (2) Cases, (2) Halogen Lights (optional)

**10' CURVED DISPLAY with CASE-to-COUNTER CONVERSION KIT...** (2) Cases, (2) Halogen Lights (optional)

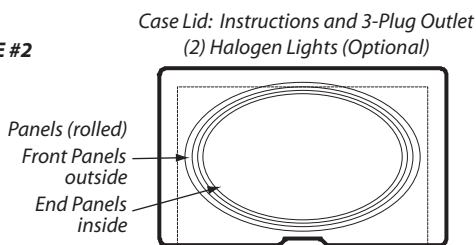
**CASE #1**



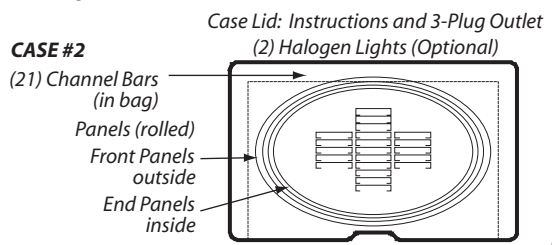
**CASE #1**



**CASE #2**



**CASE #2**



### 6. RECTANGLE CASE-TO-COUNTER KIT

#### FOUNDATION

- A. Position the cases, handles inward.
- B. Install (2) shelves.
- C. Wrap the bottom collar, velcro outward, around the cases. Connect the velcro ends.

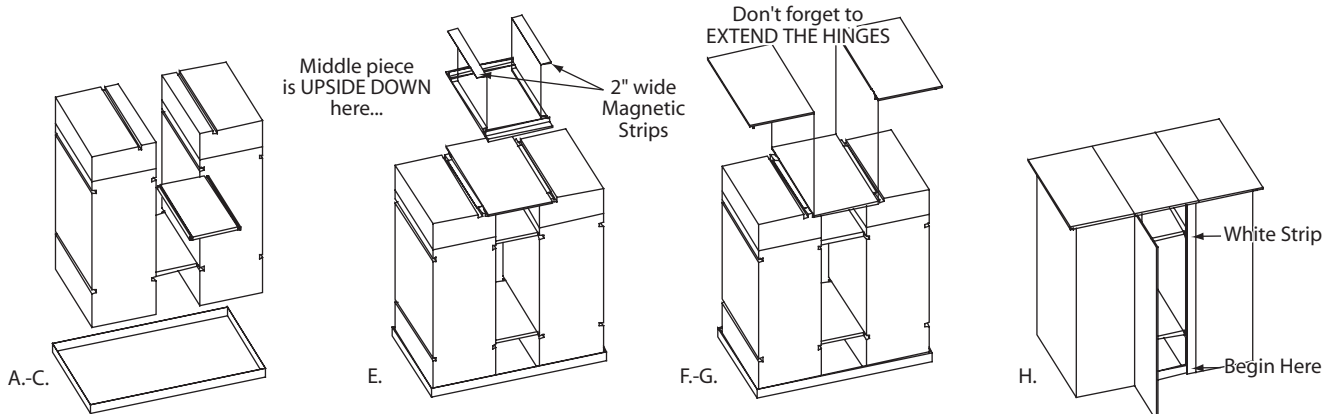
#### TOP

- E. Lay the top middle piece upside down, and attach the 2" wide magnetic strips to it. Extend the hinges outward.
- F. Position the middle piece over the cases.
- G. Assemble the remaining (2) side pieces.

#### SKIRT

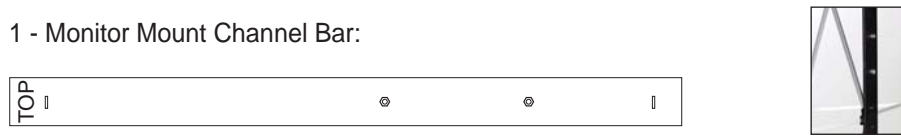
- H. Wrap the skirt around the cases, attaching to the top velcro first, then to the bottom.

Begin with the skirt's white-striped end at the right side of the opening between the cases.

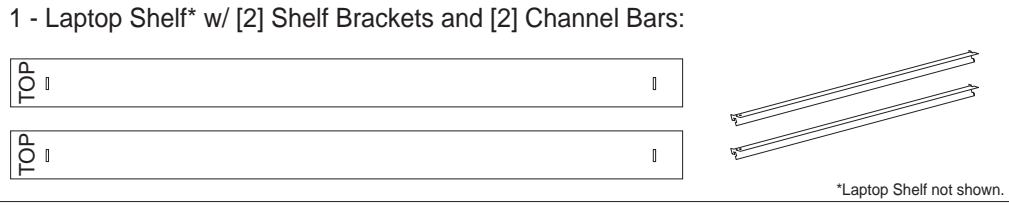


**Includes:**

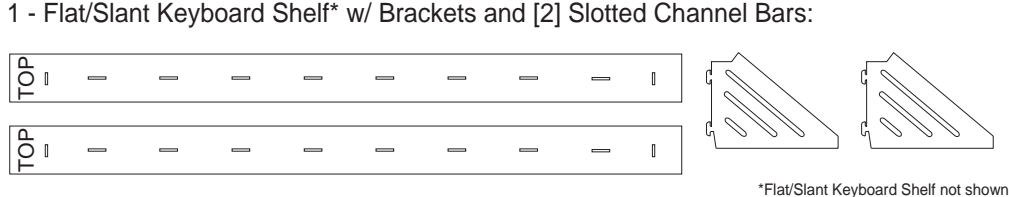
1 - Monitor Mount Channel Bar:




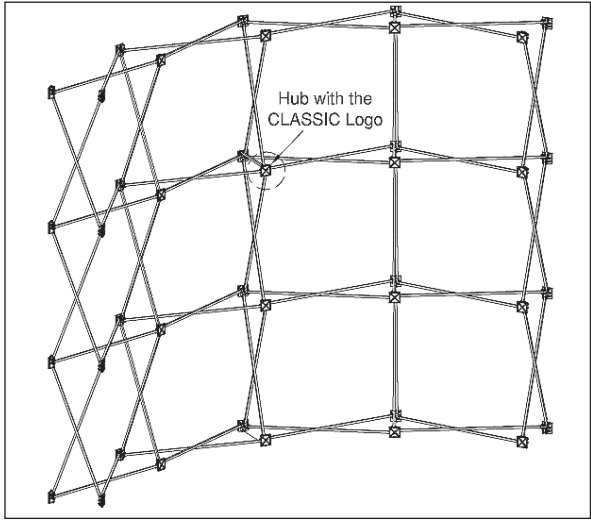
1 - Laptop Shelf\* w/ [2] Shelf Brackets and [2] Channel Bars:




1 - Flat/Slant Keyboard Shelf\* w/ Brackets and [2] Slotted Channel Bars:



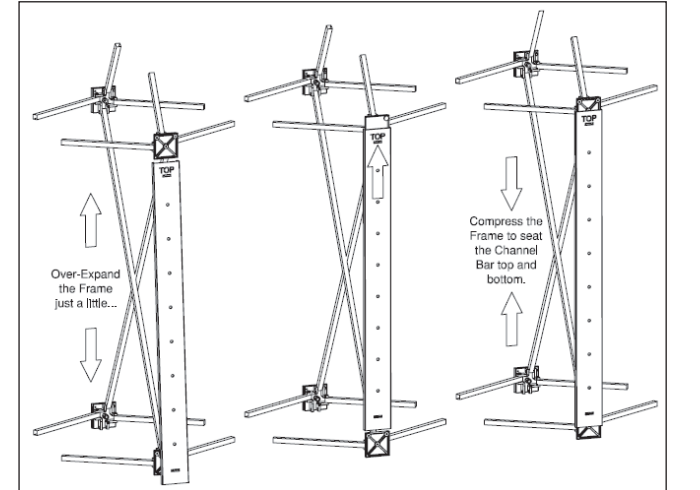

**Step 1: Expand and Set up Frame**

**Step 2: Secure Purple Locking Bar**



**Step 3: Attach Channel Bars in the Front and Back**



Including Monitor Channel Bar and Slotted Channel Bars.

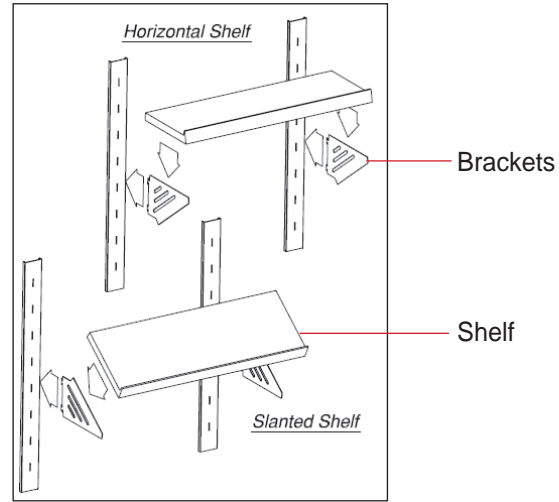
**Step 4: Release Purple Bar and Relax the Frame**



Step 5: Attach Rear Laptop Shelf w/ [2] Brackets into Rear Channel Bars

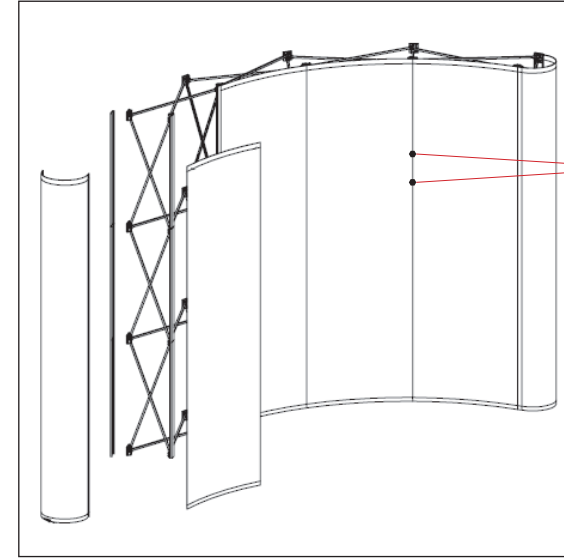


Step 6: Attach Front Keyboard Brackets



\*Attach Shelf after Panels are attached

Step 7: Attach Fabric Panels



NOTE:  
The Notched Fabric Panels need to go around the screws for Monitor Mounts.

Screws are located in the Monitor Channel Bar.

Step 8: Secure Monitor to Monitor Mount w/ Enclosed Hardware.

Hang Monitor on Monitor mount screws



Step 9: Attach Keyboard Shelf on Keyboard Brackets

