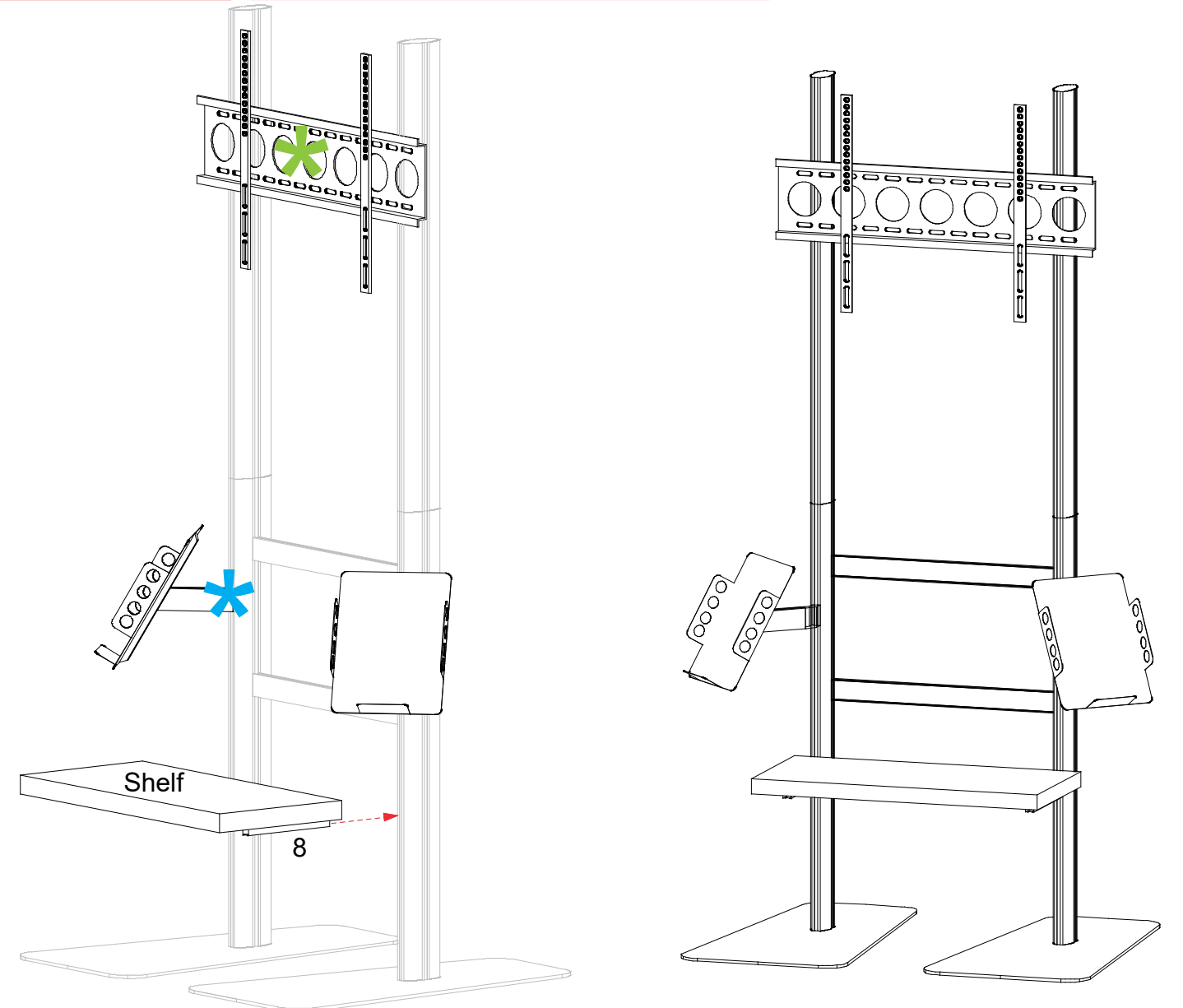
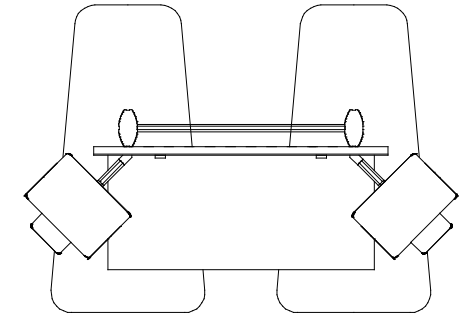
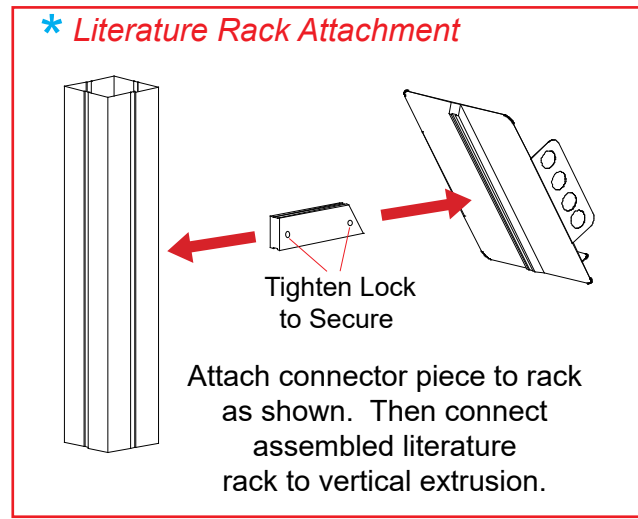
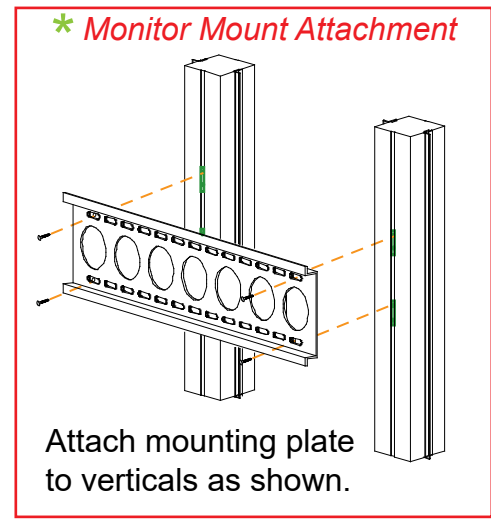
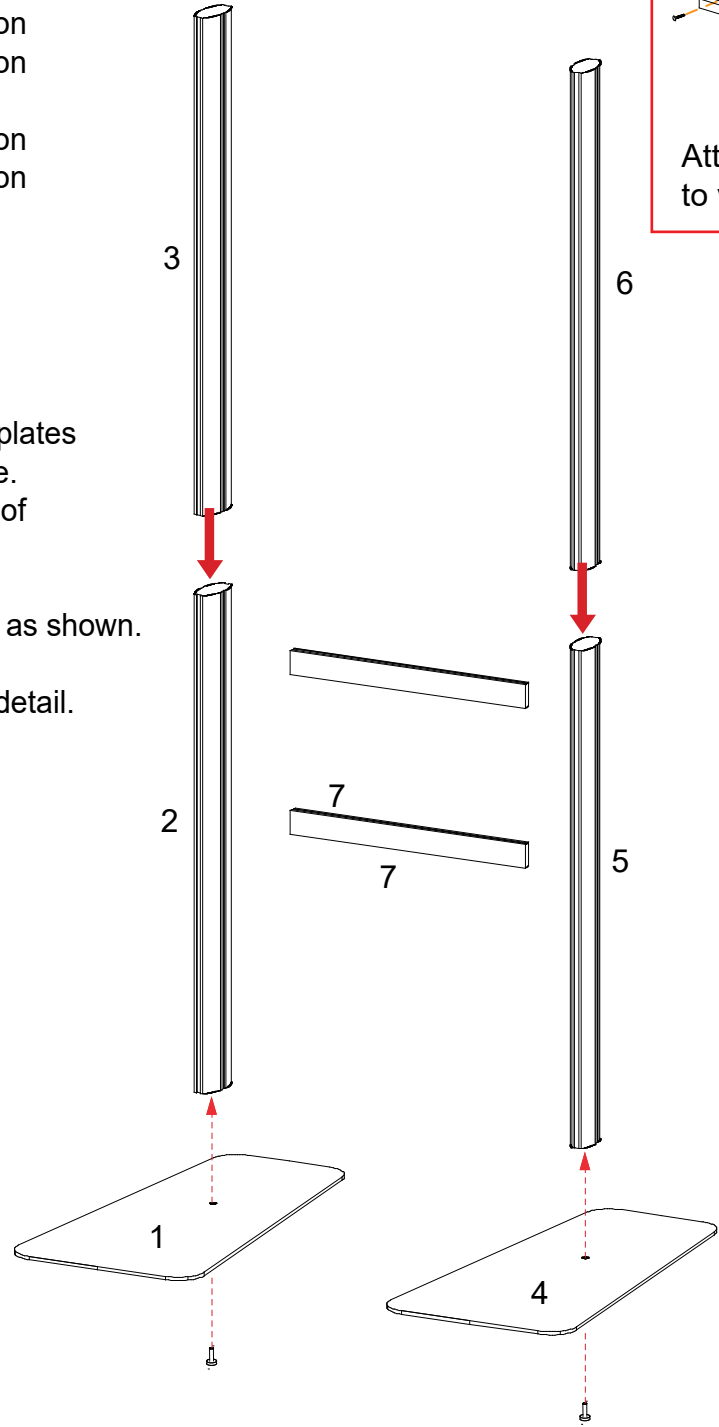


Item	Qty	Description
1	1	Base Plate
2	1	37.375" Lower Vertical extrusion
3	1	37.375" Upper Vertical extrusion
4	1	Base Plate
5	1	37.375" Lower Vertical extrusion
6	1	37.375" Upper Vertical extrusion
7	2	20.25" Horizontal extrusion
8	2	Shelf Supports

Steps

- 1) Attach vertical extrusions [2 and 5] to the base plates [1 and 4] - refer to Detail D on General Info page.
- 2) Attach upper vertical extrusions [3 and 6] to top of lower vertical extrusions [2 and 5].
- 3) Attach horizontals [7] between verticals [2 & 5].
- 4) Attach shelf to supports [8] and then to verticals as shown.
- 5) Attach monitor mount as shown in detail.
- 6) Attach literature Racks to verticals as shown in detail.



SETUP INSTRUCTIONS

General Setup Instructions

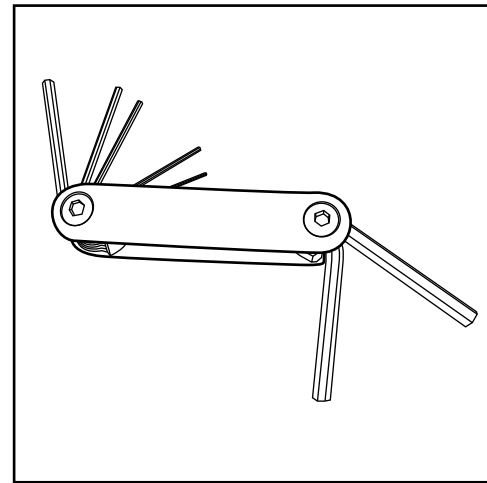
- Read entire setup instruction manual prior to unpacking parts and pieces.
- The setup instructions are created specifically for this configuration.
- Setup instructions are laid out sequentially in steps, including exploded views with detailed explanation for assembly.

Cleaning & Packing

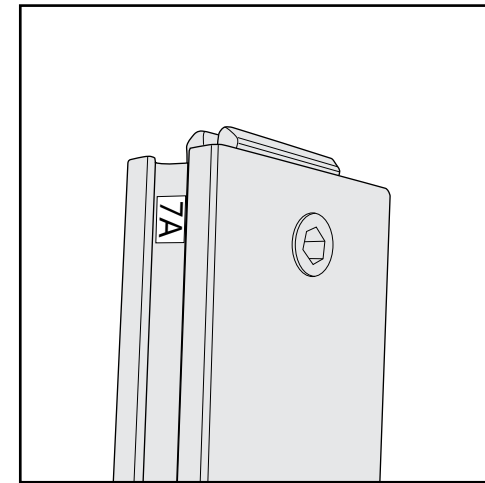
- For Cleaning Metal, Plex, & Laminate Parts: Use a **MILD NON-ABRASIVE** cleanser and soft cloth/paper towel to clean all surfaces.
- Keep exhibit components away from heat and prolonged sun exposure. **Heat and UV exposure will warp and fade components.**
- Retain all provided Packing Materials. All provided packing materials are for ease of repacking & component protection.

Disassembly

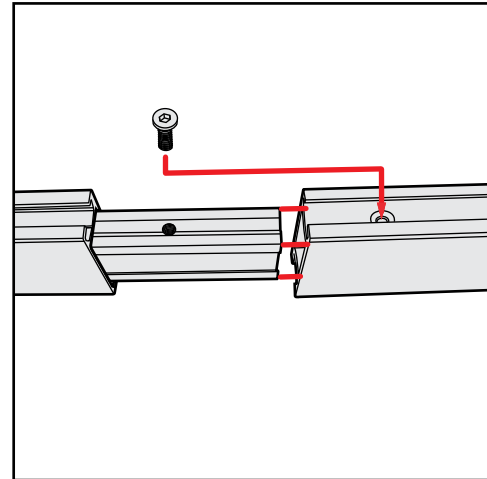
- For loss prevention, tighten all set screws and locks during disassembly.



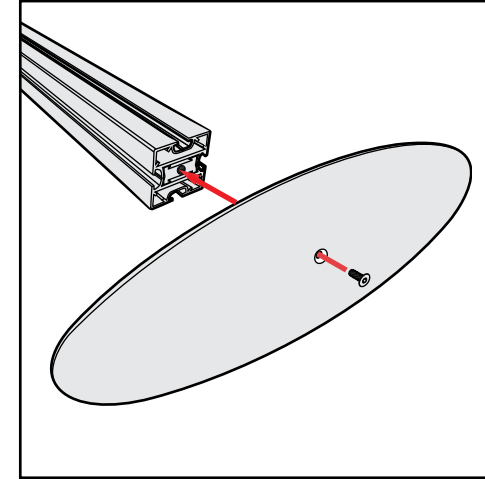
Hex Tool - Essential for Assembly



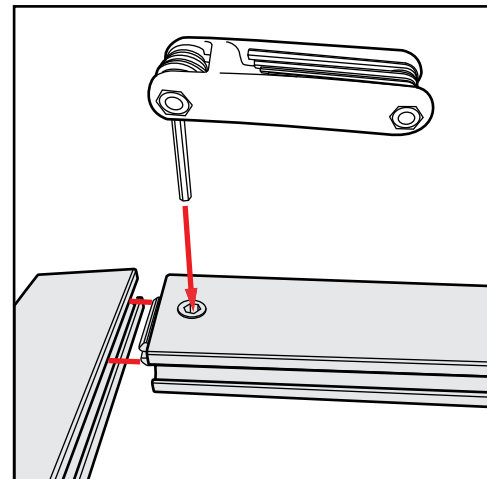
Part Identification - Numbering



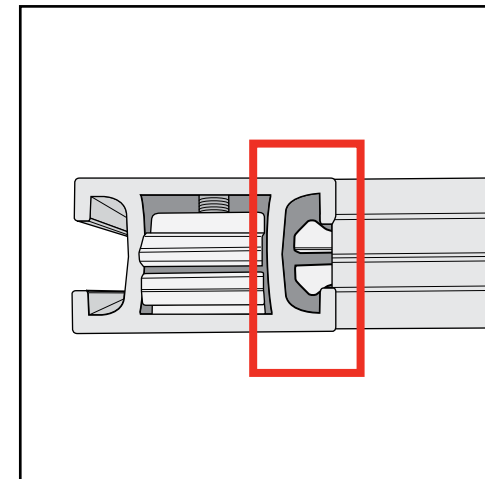
Spline Connection



Base Plate & Extrusion Connection



Extrusion & Lock Connection



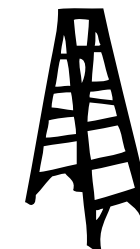
Engaged Lock



WARNING



DO NOT USE POWER TOOLS

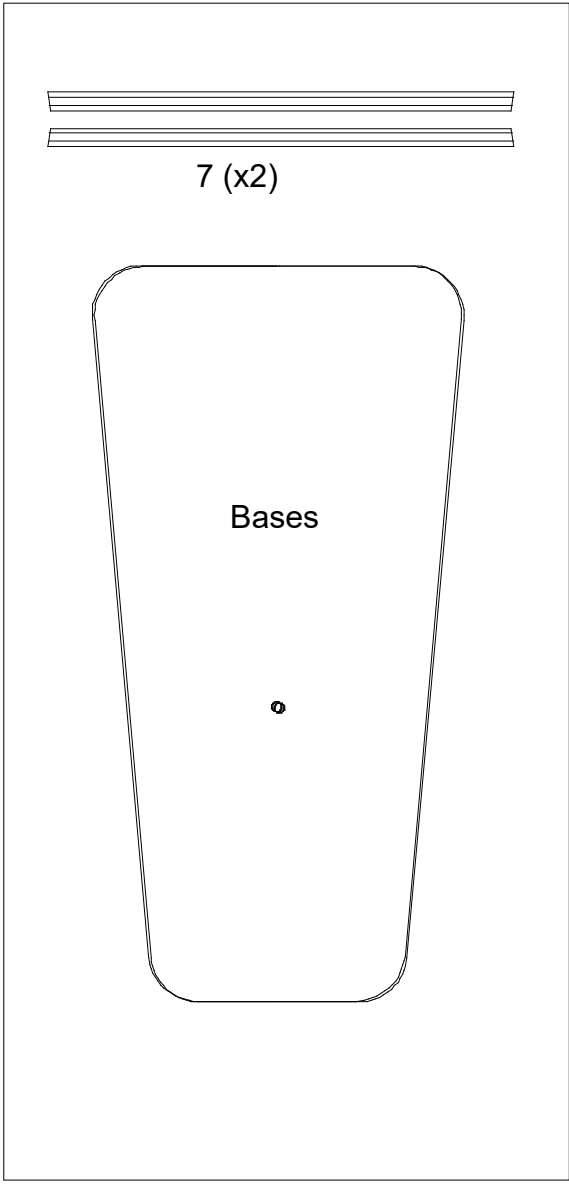


LADDERS OR LIFTS
MAY BE REQUIRED

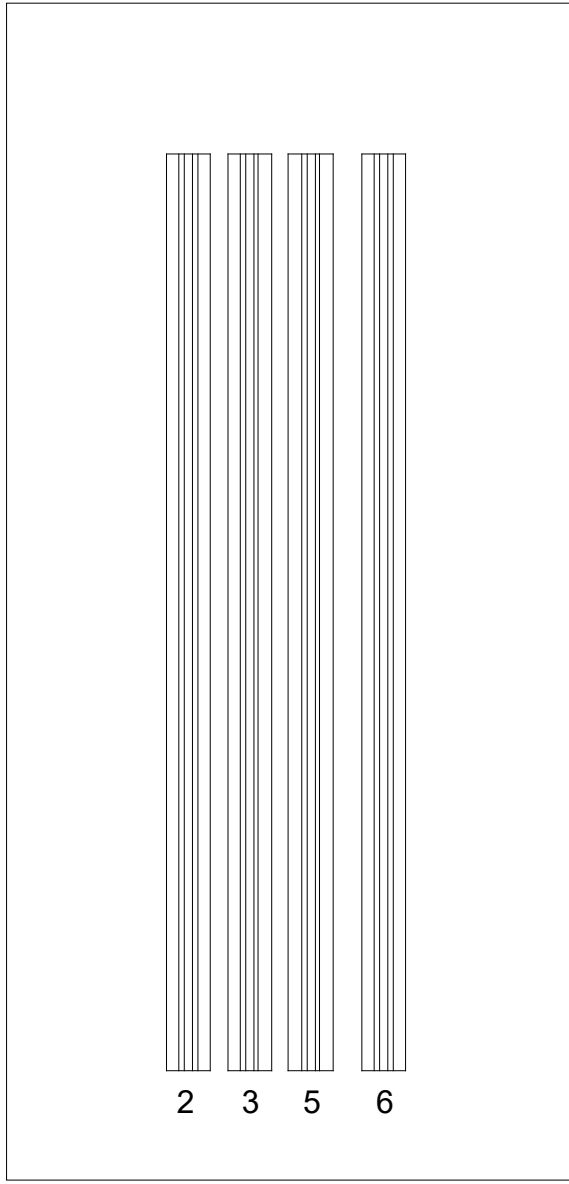


ALL CONNECTIONS MUST
BE TIGHTLY SECURED

Monitor Stand Components - Case 1



Level 1



Level 2



Level 3

