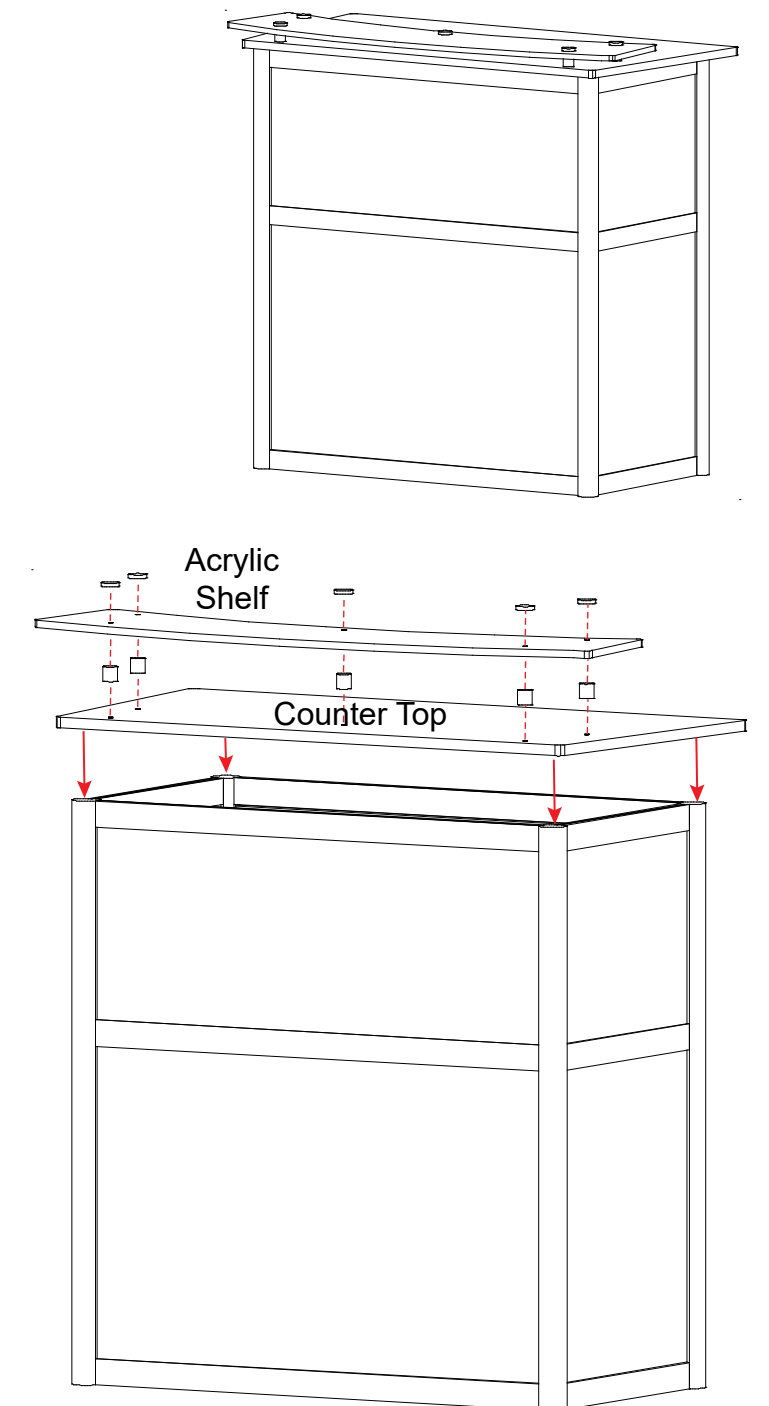
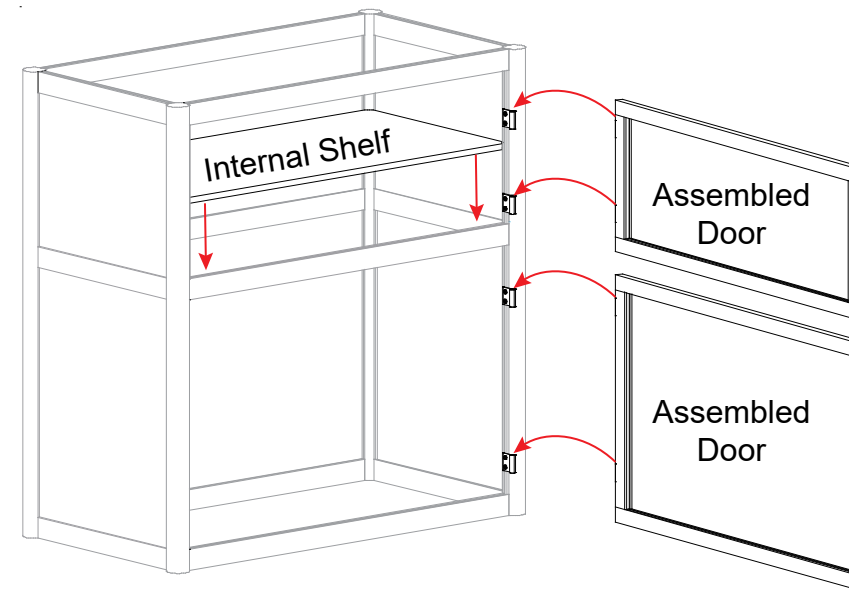
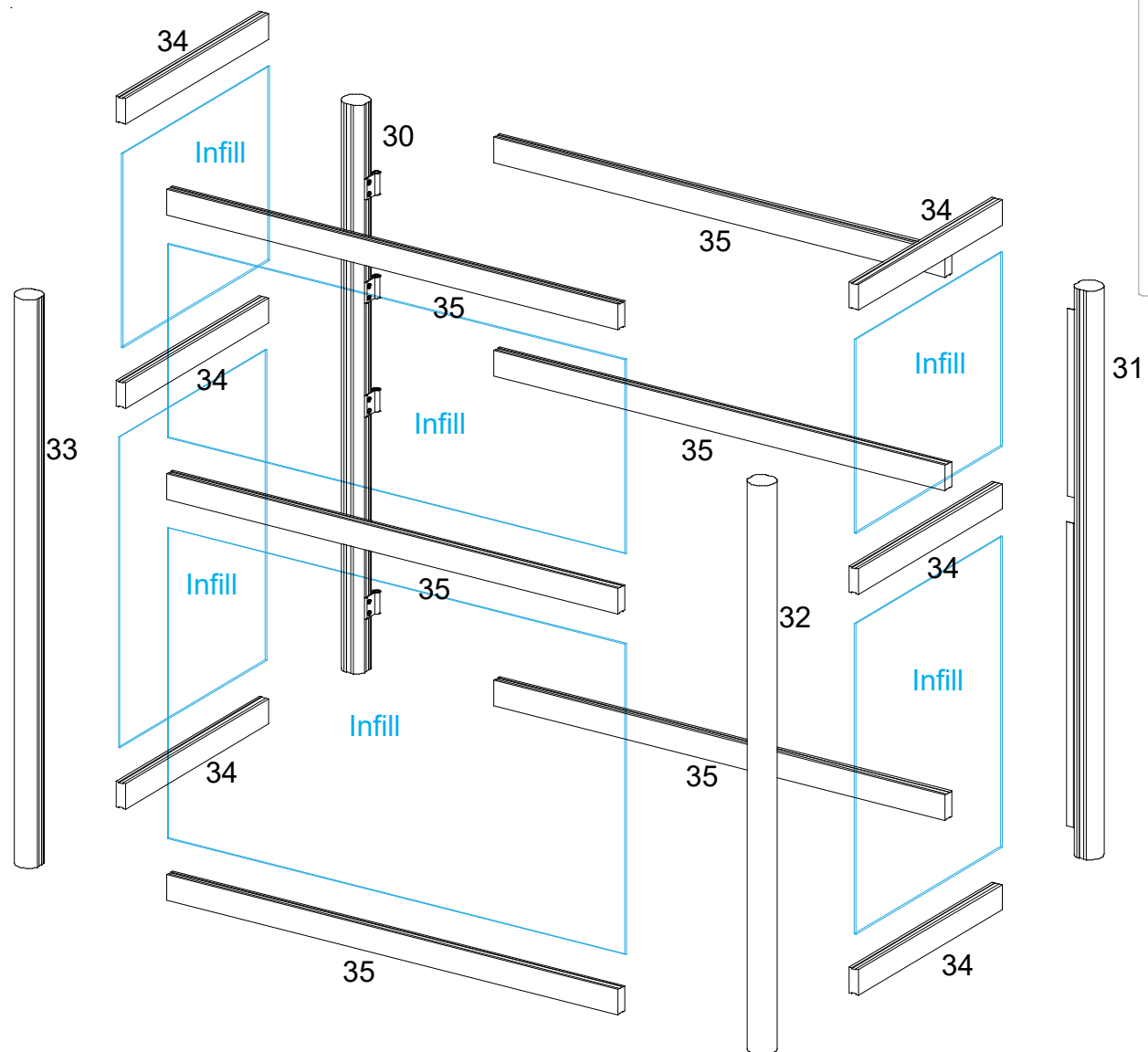


Item	Qty	Description
30	1	40" Round Vertical w/Door Hinges
31	1	40" Round Vertical w/Door Stop
32	1	40" Round Vertical
33	1	40" Round Vertical
34	6	17" Z45 Horizontal Extrusion
35	6	35" Z45 Horizontal Extrusion

Steps

- 1) Attach horizontals [34 & 35] between verticals inserting Glass Infills as shown.
- 2) Attach doors to hinges on vertical as shown.
- 3) Place internal shelf on shelf pins as shown.
- 4) Place counter top on top of assembled pedestal.
- 5) Attach acrylic shelf on top of counter top with standoffs and screwcaps as shown in detail.



Upper Shelf to Counter Attachment

Attach standoff barrels to counter and secure in place. Secure upper shelf to standoffs using screw caps.

SETUP INSTRUCTIONS

General Setup Instructions

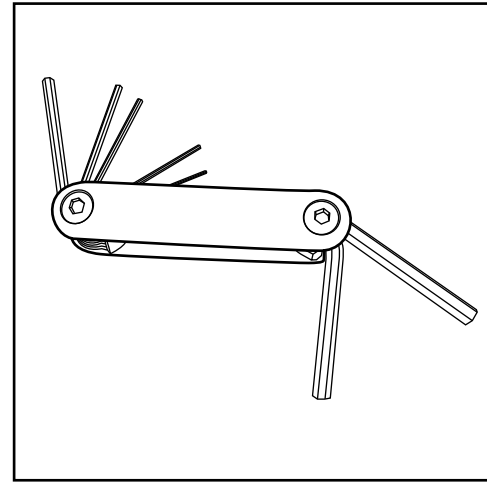
- Read entire setup instruction manual prior to unpacking parts and pieces.
- The setup instructions are created specifically for this configuration.
- Setup instructions are laid out sequentially in steps, including exploded views with detailed explanation for assembly.

Cleaning & Packing

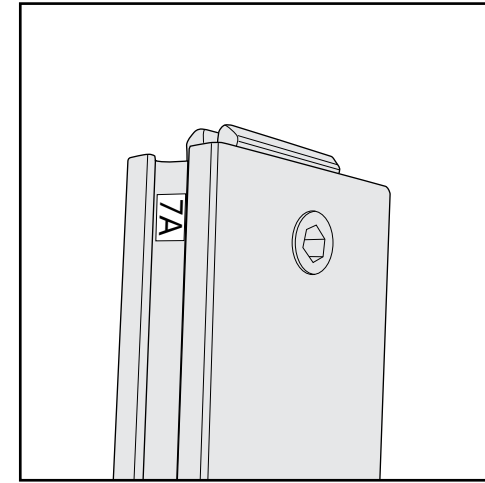
- For Cleaning Metal, Plex, & Laminate Parts: Use a **MILD NON-ABRASIVE** cleanser and soft cloth/paper towel to clean all surfaces.
- Keep exhibit components away from heat and prolonged sun exposure. **Heat and UV exposure will warp and fade components.**
- Retain all provided Packing Materials. All provided packing materials are for ease of repacking & component protection.

Disassembly

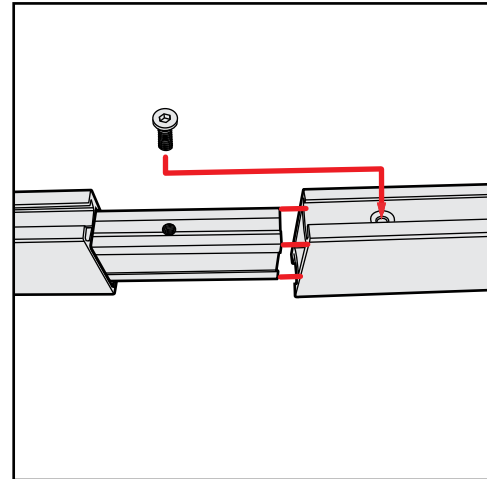
- For loss prevention, tighten all set screws and locks during disassembly.



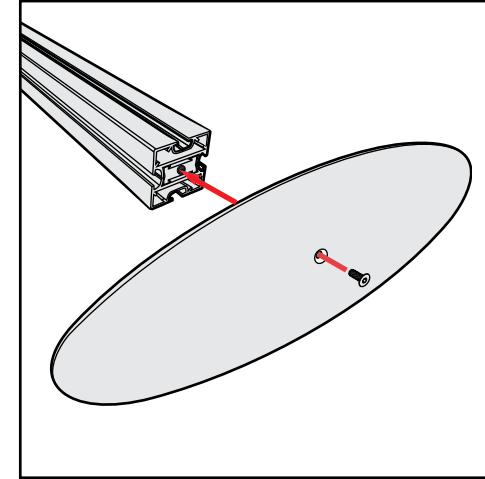
Hex Tool - Essential for Assembly



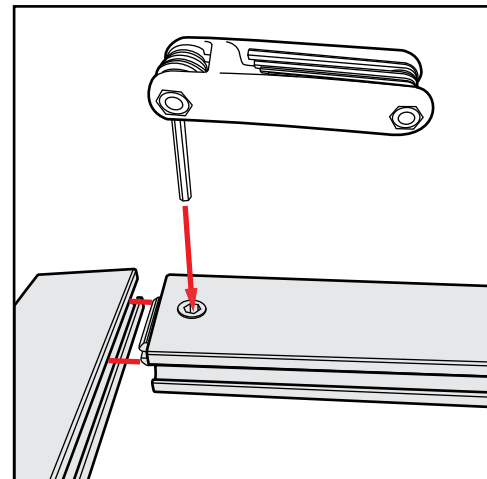
Part Identification - Numbering



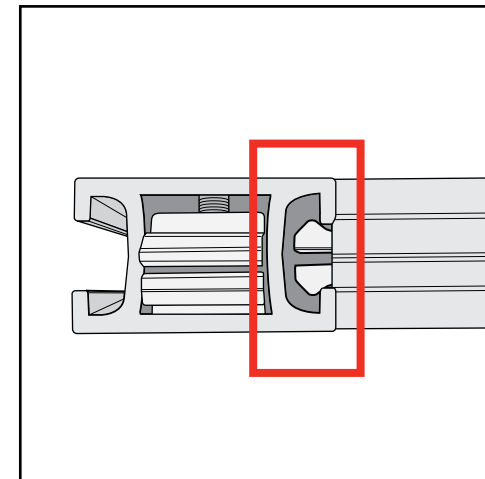
Spline Connection



Base Plate & Extrusion Connection



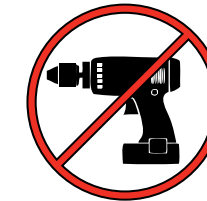
Extrusion & Lock Connection



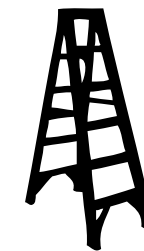
Engaged Lock



WARNING



DO NOT USE POWER TOOLS



LADDERS OR LIFTS
MAY BE REQUIRED



ALL CONNECTIONS MUST
BE TIGHTLY SECURED