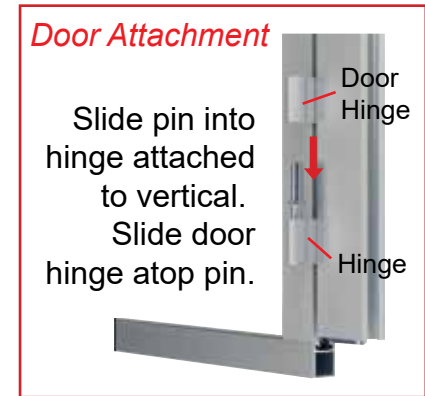
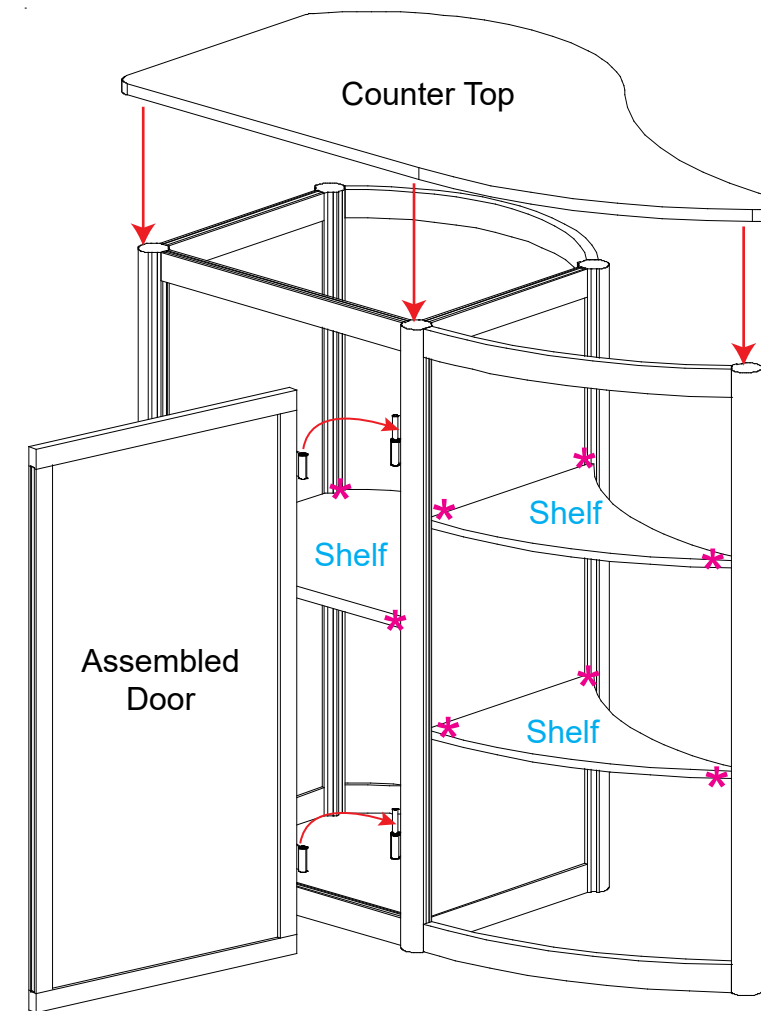
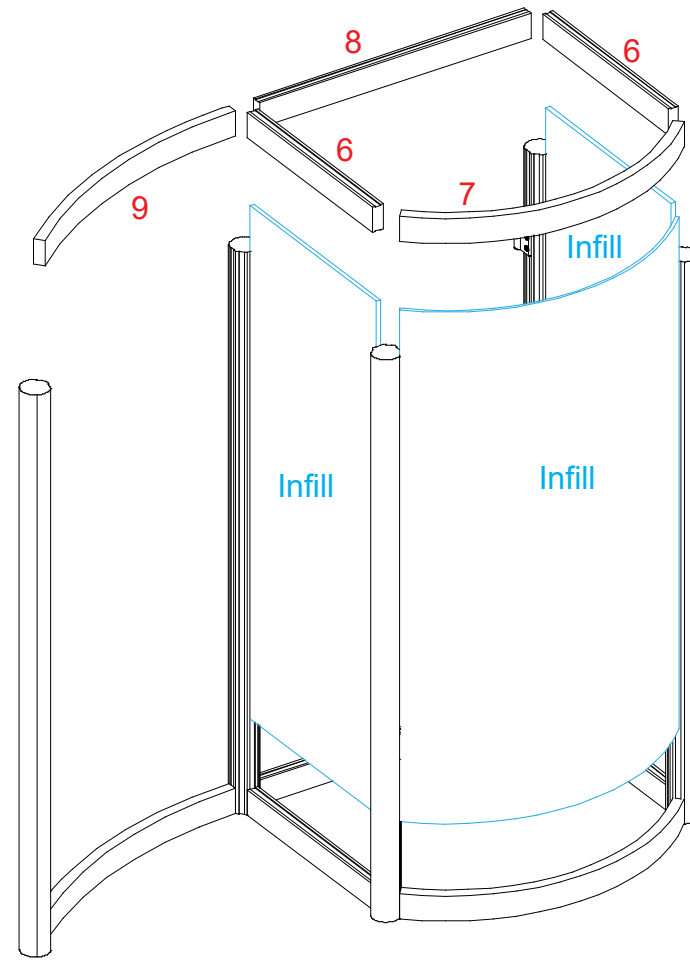
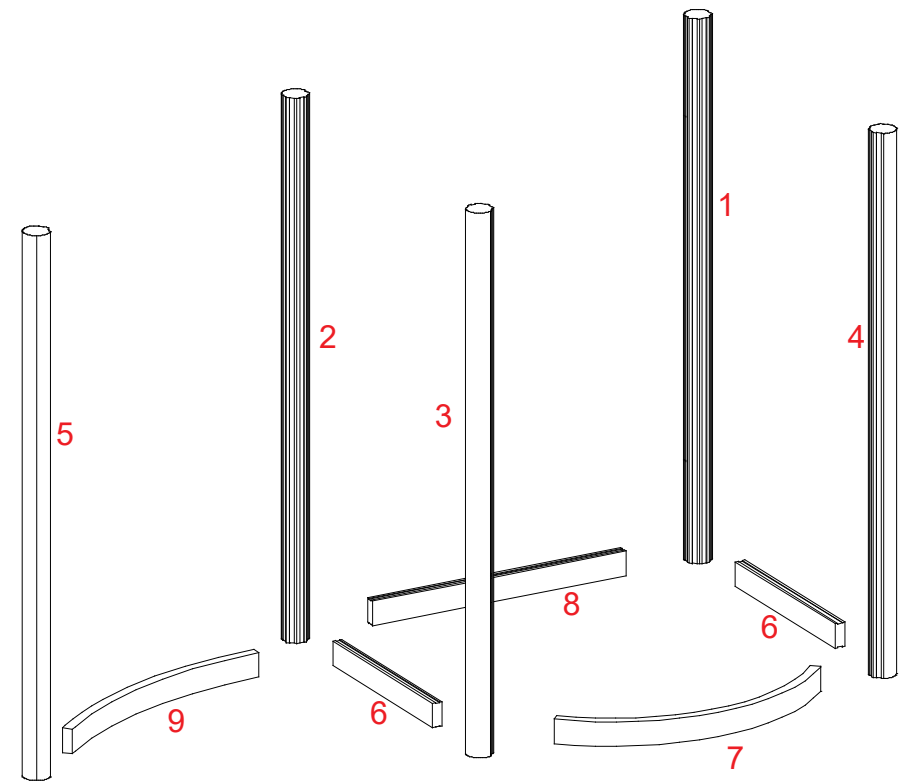


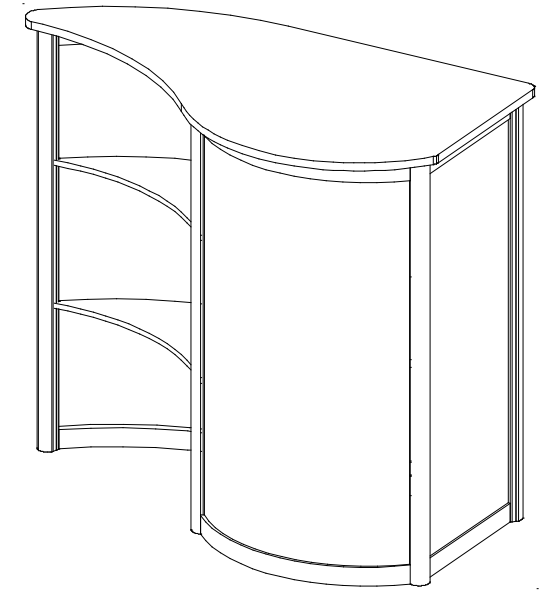
Item	Qty	Description
1	1	40" RSG560 Vertical Extrusion w/Door Stop
2	1	40" RSG560 Vertical Extrusion w/Door Hinges
3	1	40" RSG560 Vertical Extrusion
4	1	40" RSG560 Vertical Extrusion
5	1	40" RSG560 Vertical Extrusion
6	4	14" Z45 Horizontal Extrusion
7	2	23.4" Curved Z45 Horizontal Extrusion
8	2	20" Z45 Horizontal Extrusion
9	2	20.75" Curved Z45 Horizontal Extrusion

Steps:

- 1) Attach lower horizontals [6,7,8,9] between verticals as shown.
- 2) Slide infills between verticals as shown and attach upper horizontals between verticals, and on top of infills.
- 3) Hang door on hinges as shown in detail.
- 4) Place shelves on shelf pins.



* Shelf Pin Location



When Assembled

SETUP INSTRUCTIONS

General Setup Instructions

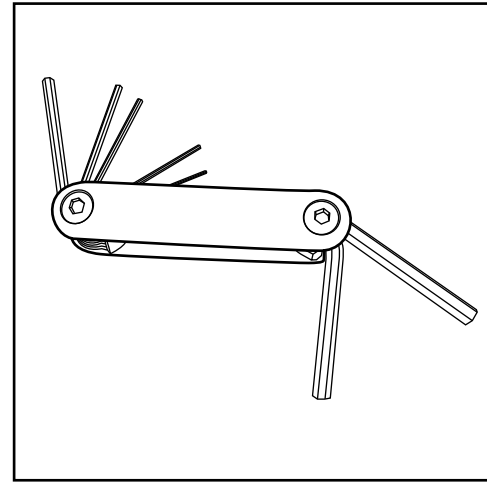
- Read entire setup instruction manual prior to unpacking parts and pieces.
- The setup instructions are created specifically for this configuration.
- Setup instructions are laid out sequentially in steps, including exploded views with detailed explanation for assembly.

Cleaning & Packing

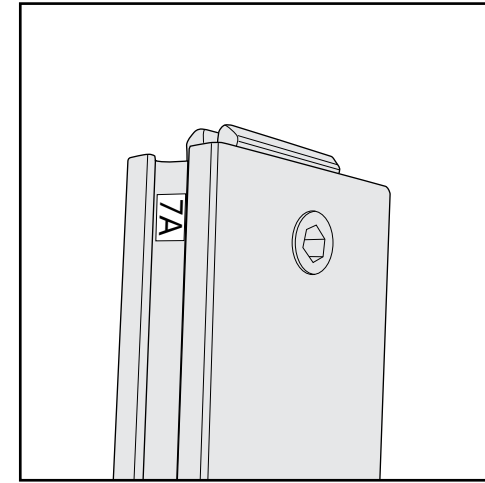
- For Cleaning Metal, Plex, & Laminate Parts: Use a **MILD NON-ABRASIVE** cleanser and soft cloth/paper towel to clean all surfaces.
- Keep exhibit components away from heat and prolonged sun exposure. **Heat and UV exposure will warp and fade components.**
- Retain all provided Packing Materials. All provided packing materials are for ease of repacking & component protection.

Disassembly

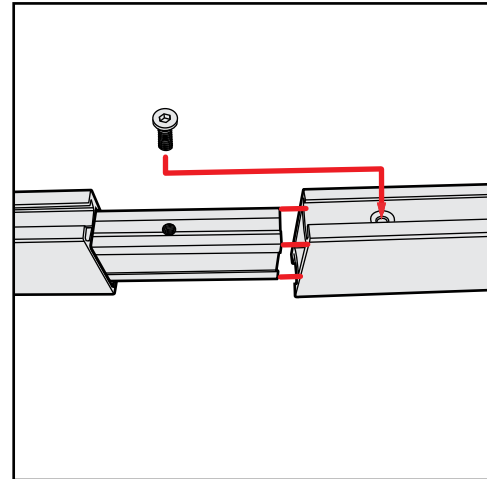
- For loss prevention, tighten all set screws and locks during disassembly.



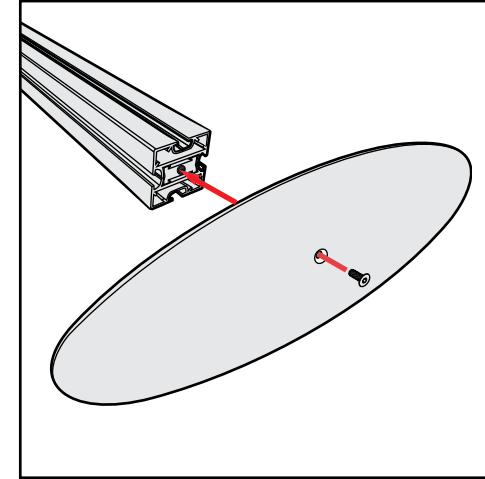
Hex Tool - Essential for Assembly



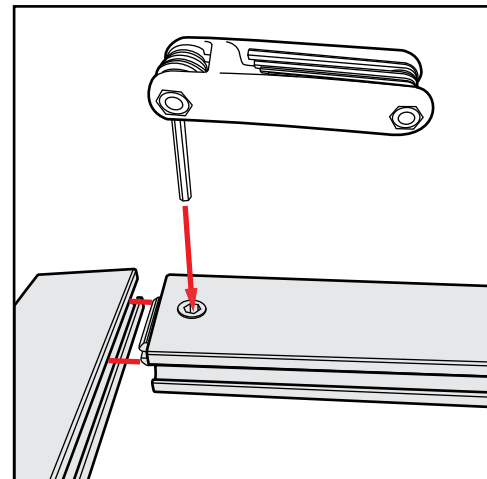
Part Identification - Numbering



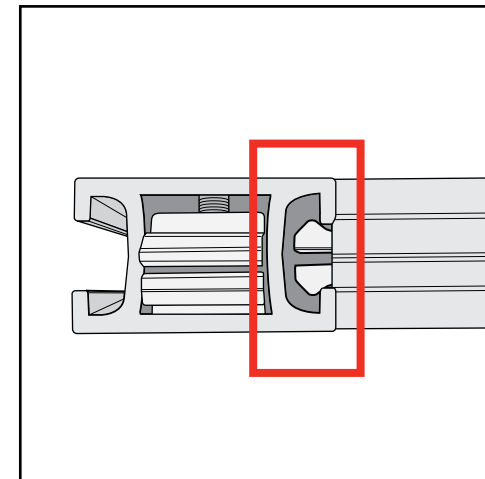
Spline Connection



Base Plate & Extrusion Connection



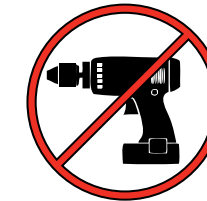
Extrusion & Lock Connection



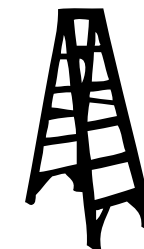
Engaged Lock



WARNING



DO NOT USE POWER TOOLS



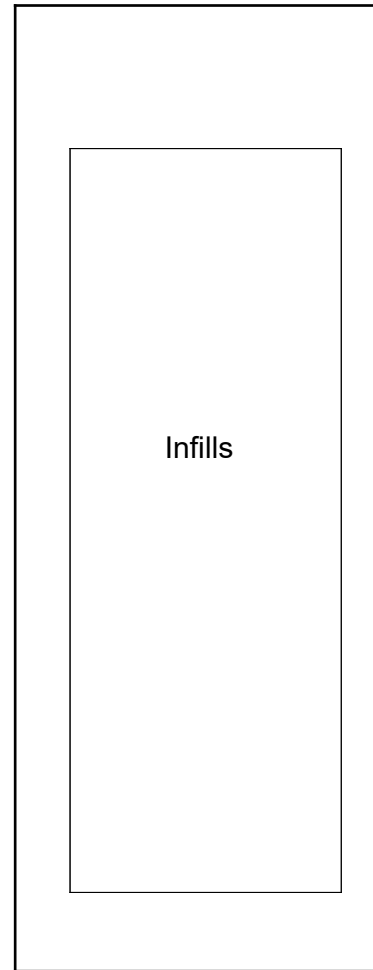
LADDERS OR LIFTS
MAY BE REQUIRED



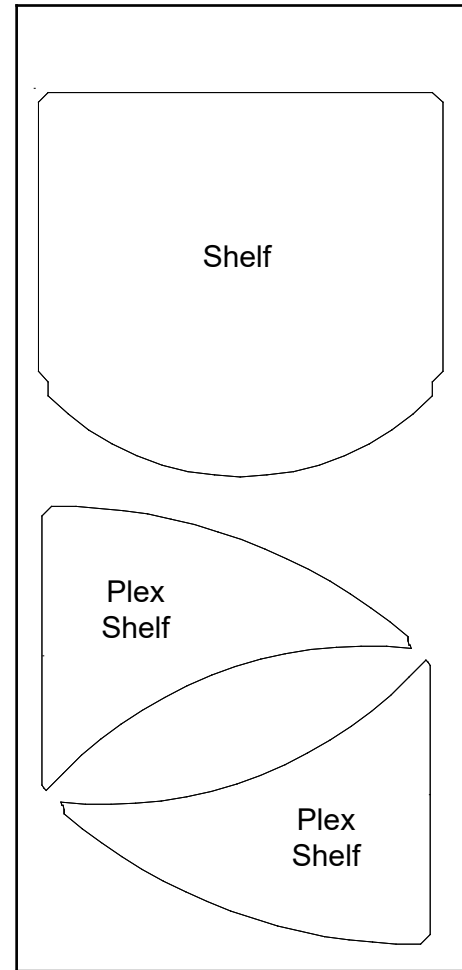
ALL CONNECTIONS MUST
BE TIGHTLY SECURED

CASE PACKING

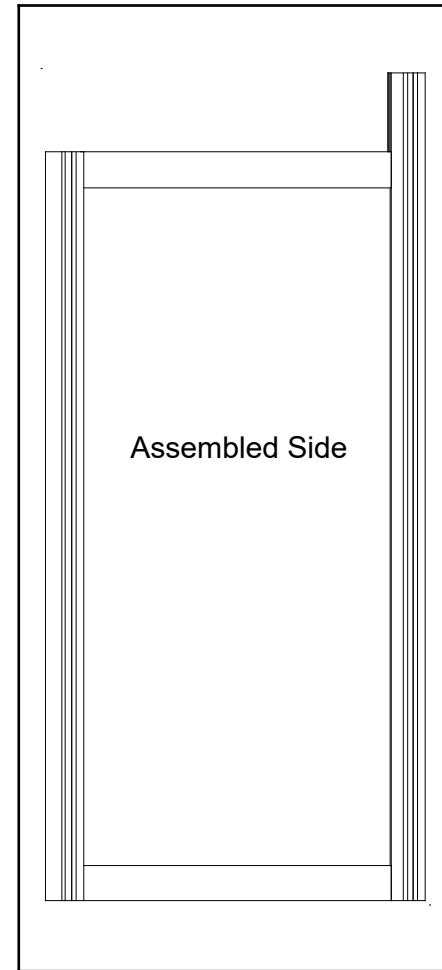
Top Views of Each Level



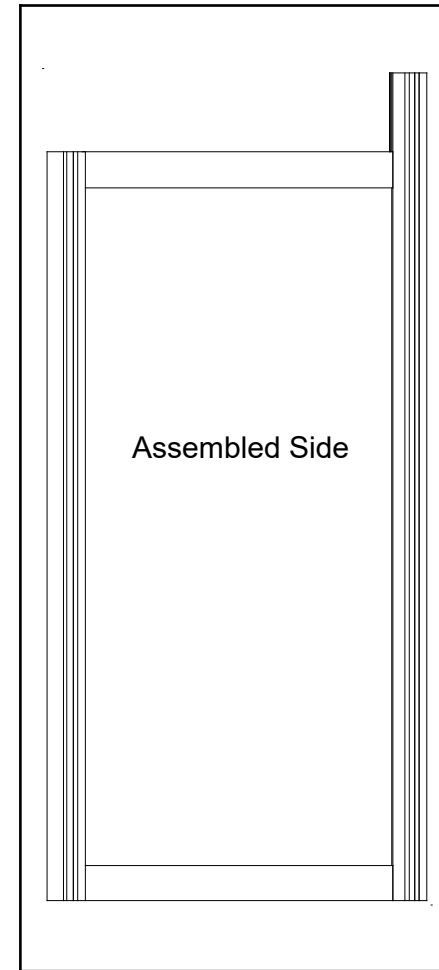
Level 1



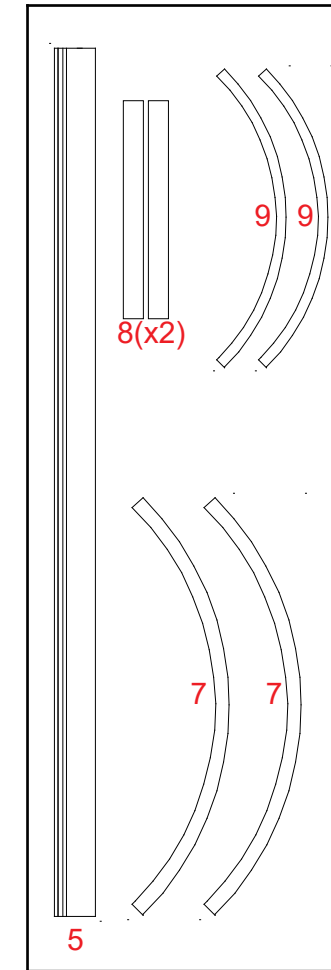
Level 2



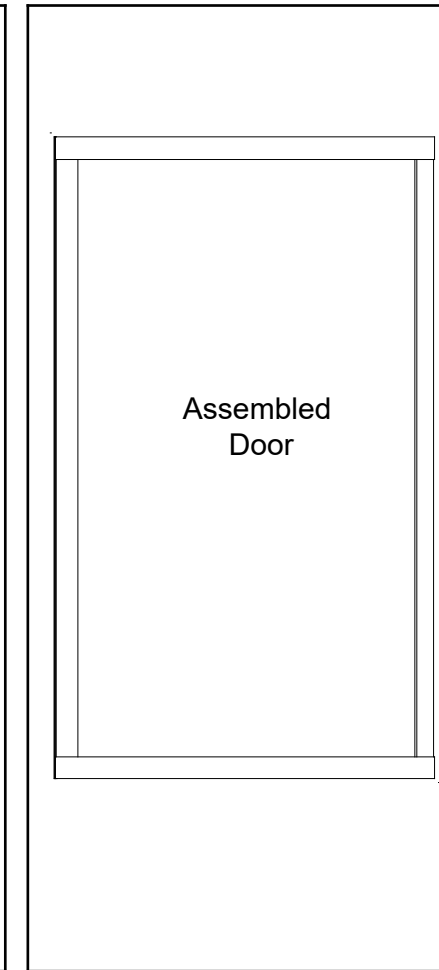
Level 3



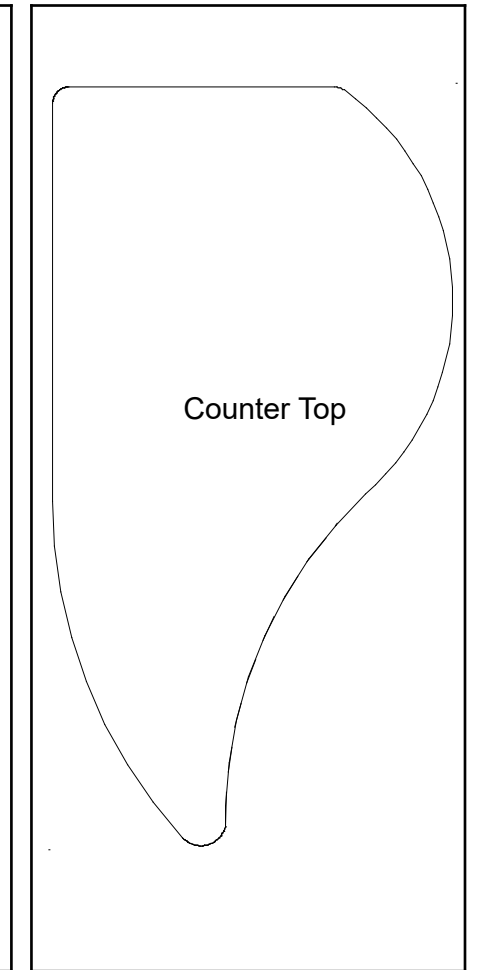
Level 4



Level 5



Level 6



Level 7